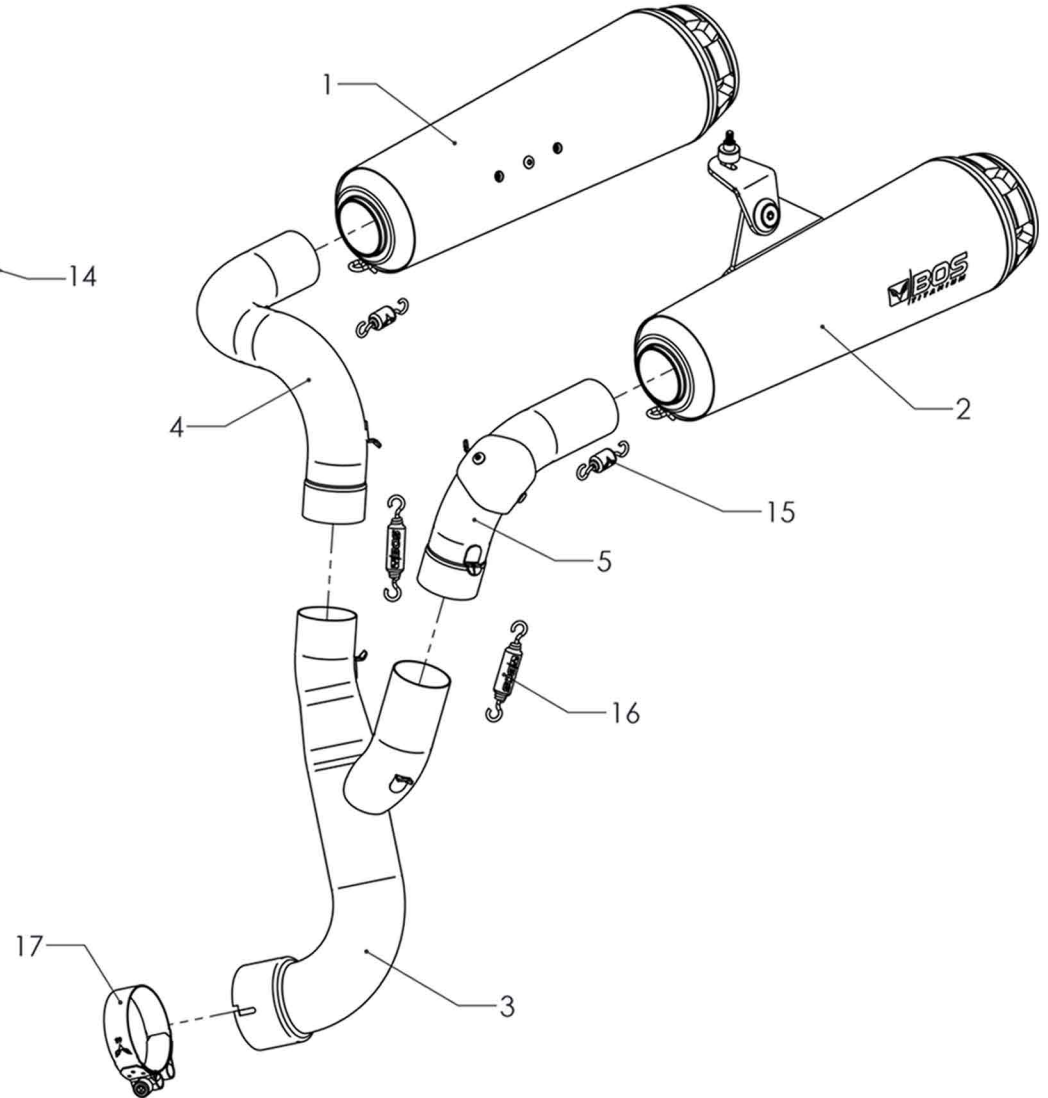
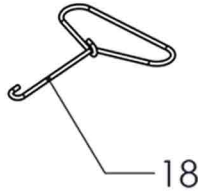
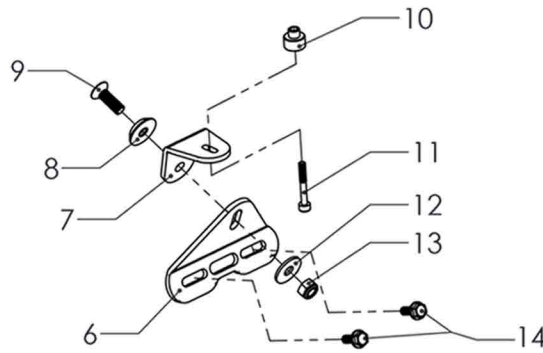


Mufflers suitable for:

- BMW R nine T - Pure
- BMW R nine T - Urban G/T
- BMW R nine T - Racer
- BMW R nine T - Scrambler
- BMW R nine T



Silencer attached to main frame with dismantled pillion passenger frame.



**Nr.14**



**Nr.9, 11**



**Nr.17**



Approval Number  
92R-01 10409 TYPE 1022

Pos	Qty	Part No.	Description
1	1	900147	Muffler SSEC GT Titanium (Right)
2	1	900146	Muffler SSEC GT Titanium (Left)
		<b>850065</b>	<b>Mounting Parts:</b>
3	1	750057	Link Pipe - Y Tube
4	1	750059	Link Pipe - Right
5	1	750058	Link Pipe - Left
6	2	700099	Mounting Bracket Low
7	2	700098	Mounting Bracket Up
8	2	300027	Washer M8x25 Countersunk Alu
9	2	14098	Bolt M8x25 DIN 7991 A2
10	2	300035	Spacer MBracket
11	2	300038	Bolt M5x35 DIN 912 A2
12	2	14060	Washer M8 DIN 9021
13	2	14055	Nut M8 DIN 985
14	4	14148	Bolt Flanged M6x12 Torx
15	2	300029	Pull Spring 52 mm. + Rubber Cover
16	2	300032	Pull Spring 64 mm. + Rubber Cover
17	1	300014	Clamp 67
18	1	300006	Spring Pulling Tool

### Ordernumber

BM09R14 - SECU - Titanium

### Weight:

Stock: 4,6 kg (Scrambler)

Bos: 5,0 kg

### Noiselevel: @ 3875 rpm

Stock: Specified 90,0 dB(A)

Measured 89,6 dB(A)

Bos: Measured 90,6 dB(A)

### Performance (rear wheel)

Stock: 115,8 Hp / 7255 rpm

Bos: 120,2 Hp / 7250 rpm

Max. Hp incr.: + -, - Hp / ---- rpm

Max Nm incr.: + -, - Nm / ---- rpm

### Tips

In order to avoid smudges and fingerprints burning into the surface it is imperative to clean the exhaust before starting the engine, burnt in stains are very difficult to remove.

**After 300 miles or 500 kms. check all nuts and bolts and retighten if necessary.**

