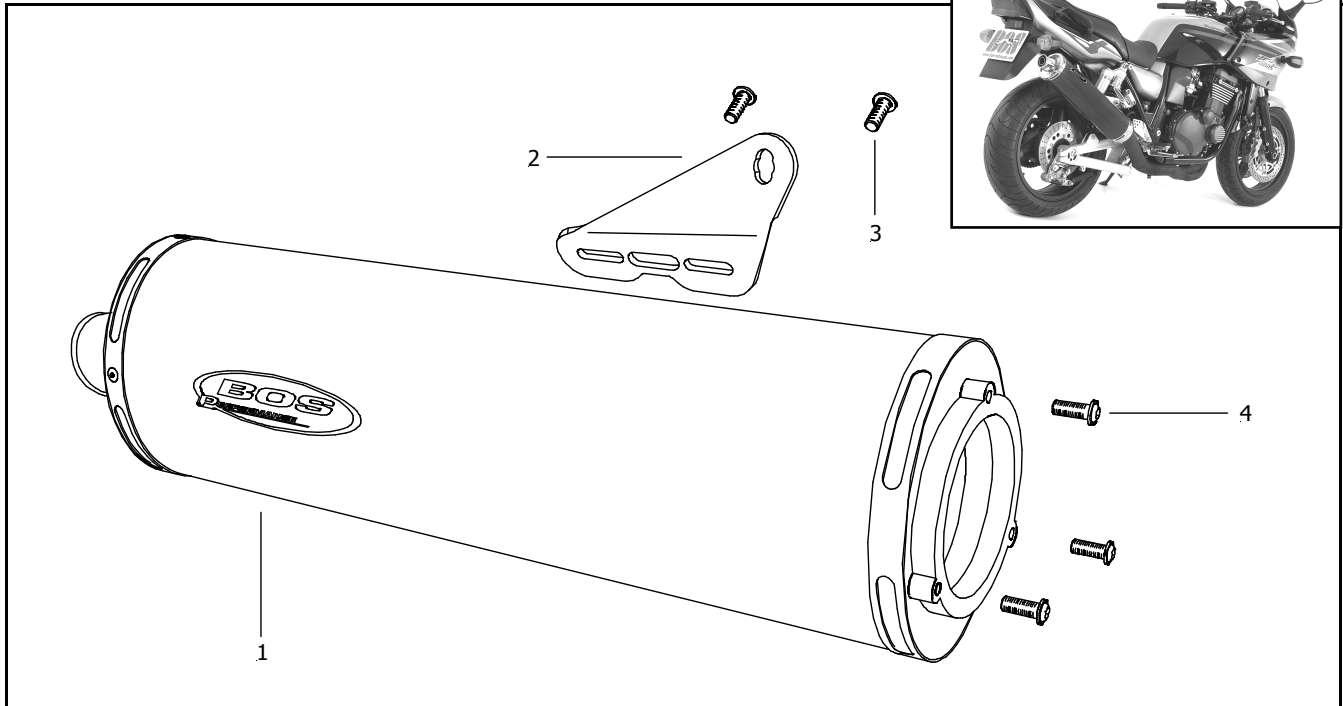


# KAWASAKI

## BOS SCREW-ON OVAL

ZRX 1100



Pos	Qty	Description	Part No.
1	1	Muffler aluminium	299190

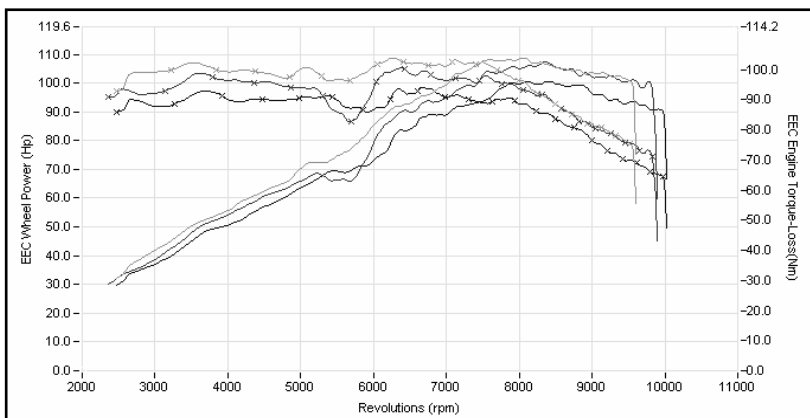
**Order number**  
1310611A - Alu

Mounting kit :			280158
2	1	Mounting bracket	227132
3	2	Bolt M6X16	408078
4	3	Bolt M8X16	408053

**Weight**  
Original: 3.9 kg  
Bos: 4.4 kg

**Noiselevel @ 5500 RPM**

Original: specified	93.0 dB(A)
measured	93.0 dB(A)
Bos: Ec appr.	94.0 dB(A)
open	96.0 dB(A)



### Tips

More information like photos  
can be found on:  
[www.bos-exhausts.com](http://www.bos-exhausts.com)

