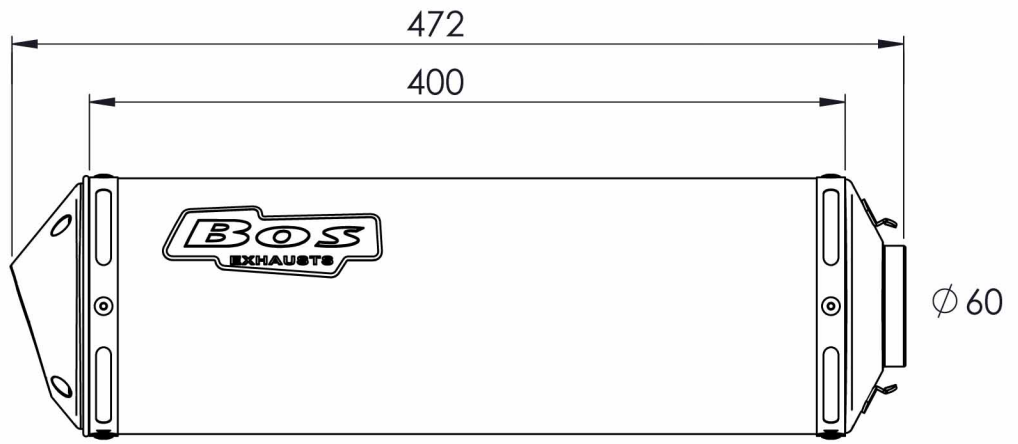
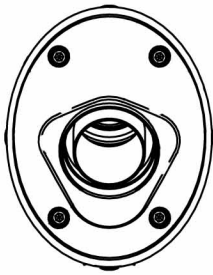


SlingShot GP2



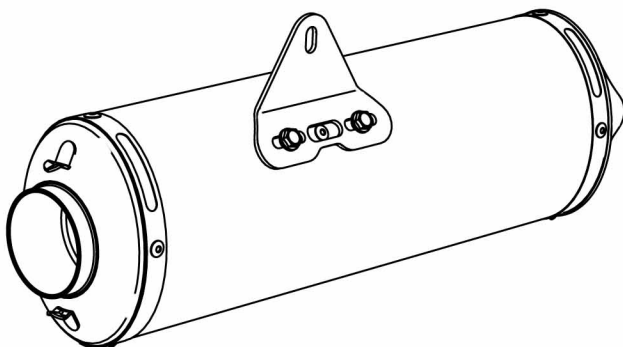
Oval 135x105



Mounting Muffler

Specifications

Bracket

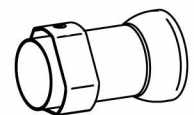
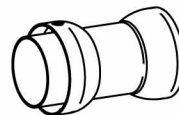


Muffler number:
71230 / 71235

Weight: 3,2 Kg.
Connection pipe: Ø60
Approval number: Type 1004

DBeater

Dbeater Ø38: 50001



Dbeater Ø38: 61646

Bos Auspuff GmbH
Reitgaarstraße 2,
49828 Neuenhaus



Tel.: 0049 (0) 5941 - 4793
Fax: 0049 (0) 5941 - 5364
info@bosauspuff.de